

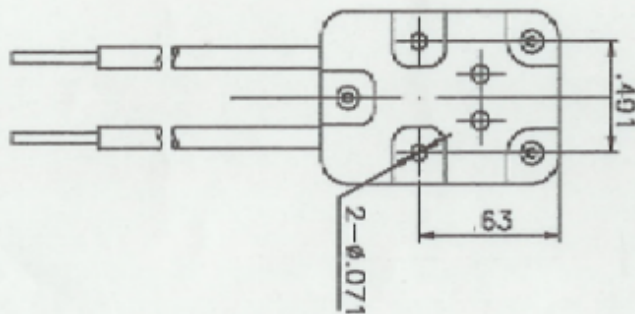
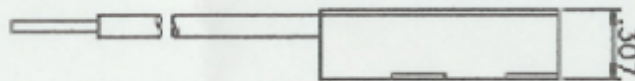
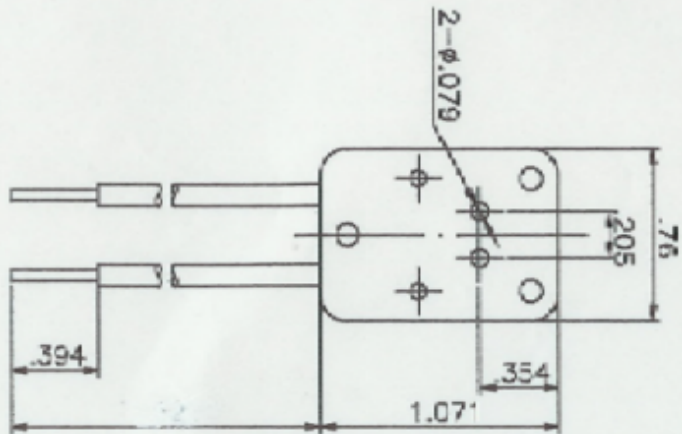


Mitronix

Part #: G58E

PART NO.

G58E



NOTES:

- 1.) Socket body: Stealite
- 2.) Contacts: Nickel
- 3.) Spring: Stainless steel
- 4.) Cover: Mica
- 5.) Leads: 18 Awg UL3122 200°C