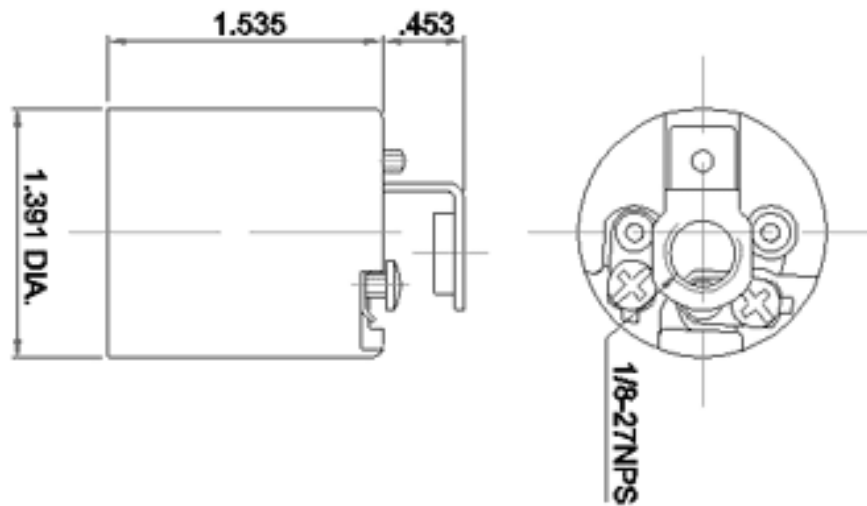
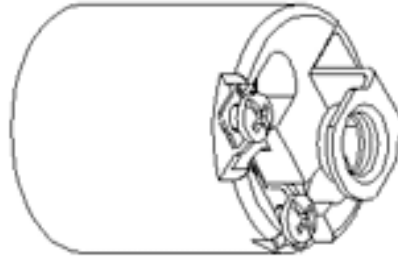




Mitronix

Part #: K-21



Model : K-21
Rate : 250V/660W
Body : E27 porcelain
Screw fixing