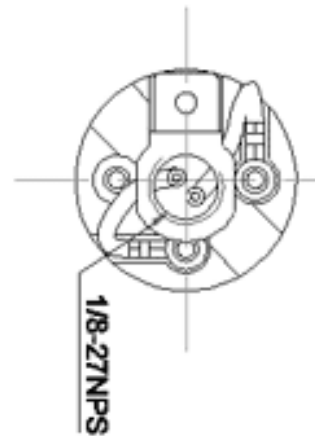
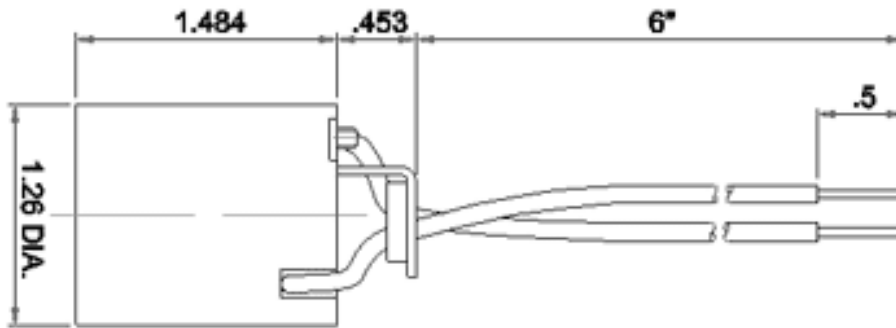
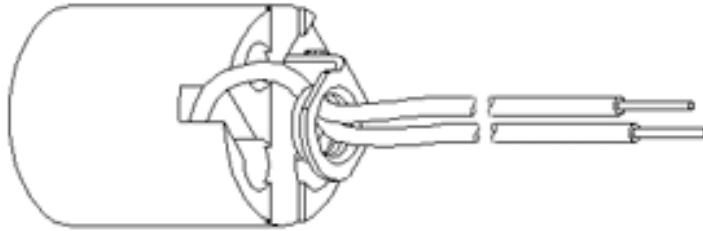




Mitronix

Part #: K-30



Model : K-30
Rate : 250V/860W
Body : phenolic
Leads : 18AWG 105°C, 150°C, 200°C