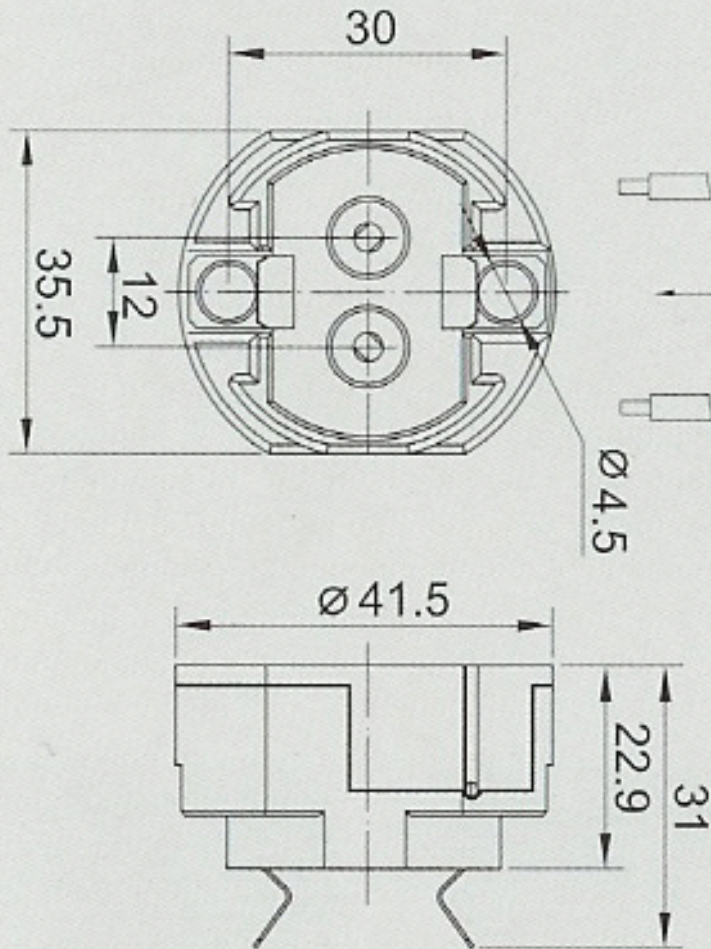






Mitronix

Part #: K526D



G12

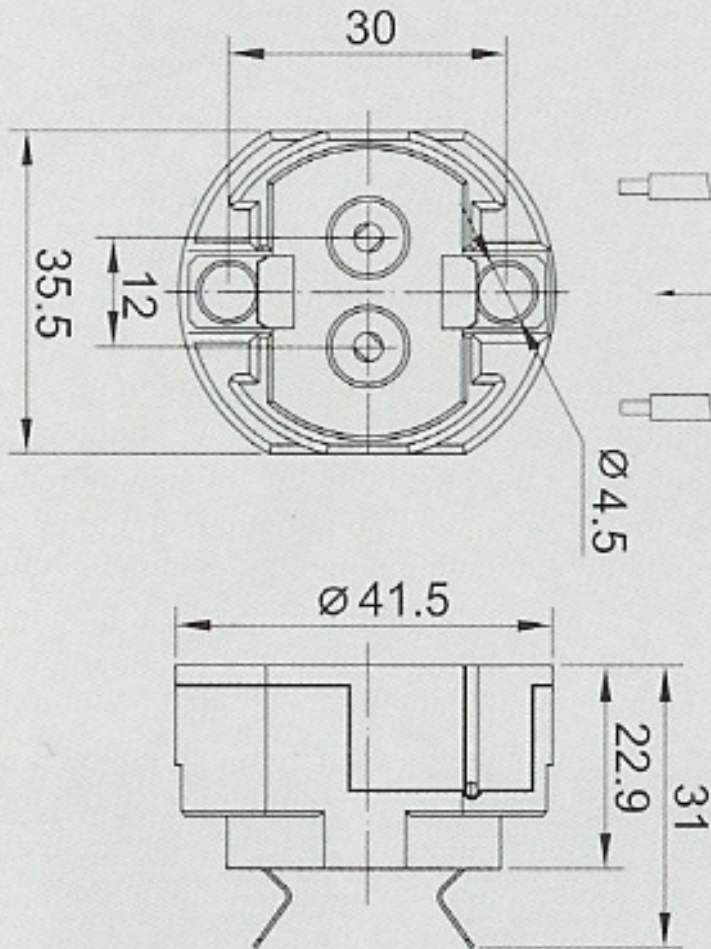
Lampholder:G12
Weight:52.4g
Fixing Screw:M4

	600V 1000W 4KV
	4A 1000V T250





Mitronix

Part #: K526D



G12

Lampholder:G12
Weight:52.4g
Fixing Screw:M4

	600V 1000W 4KV
	4A 1000V T250