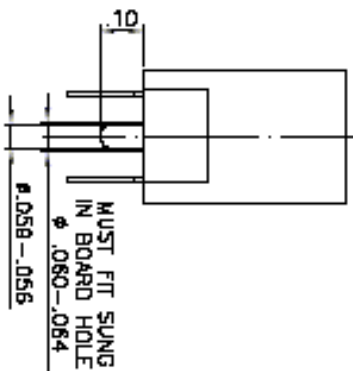
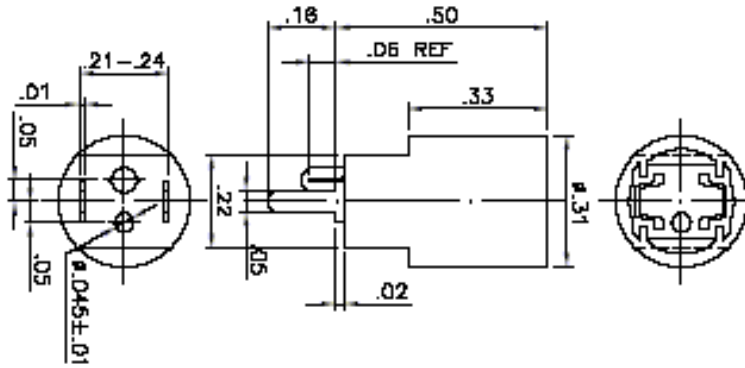
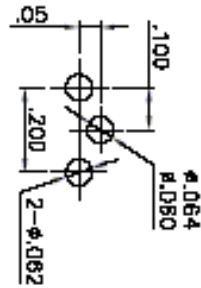




# Mitronix

Part #: SWB-2937

Mounting Hole Pattern Required



- NOTES:
1. TERMINAL: PHOSPHOR BRONZE WITH TIN PLATE
  2. HOUSING: NYLON 6/6 WHITE

MUST FIT SUNG  
IN BOARD HOLE  
 $\phi .080 - .084$