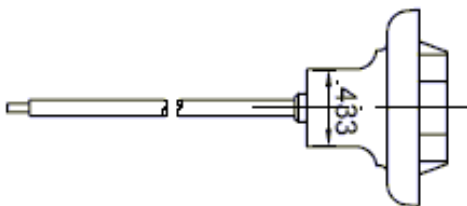
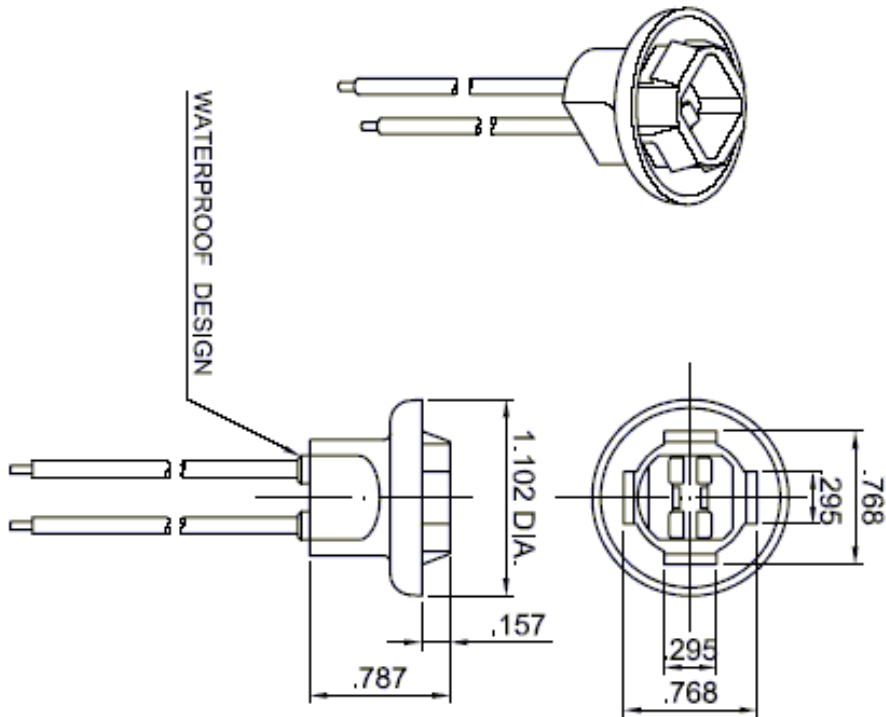


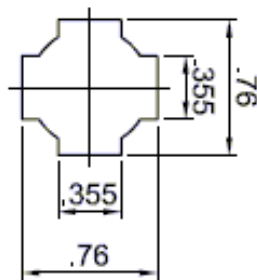


Mitronix

Part #: WB-194WS



MOUNTING HOLE DIAGRAM:
(PANEL THICKNESS .066")



NOTES:

1. HOUSING: PVC MATERIAL, BLACK
2. CONTACT (TERMINAL): .012 THICK PHOSPHOR BRONZE
3. WIRE: 18AWG, 80° 6" LEADS, 1/4" STRIPPED BLACK COLOR.