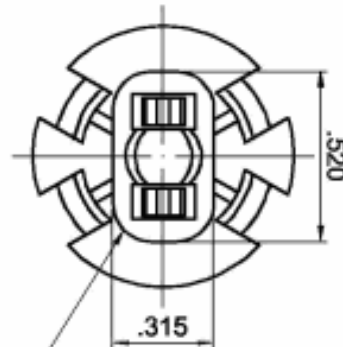
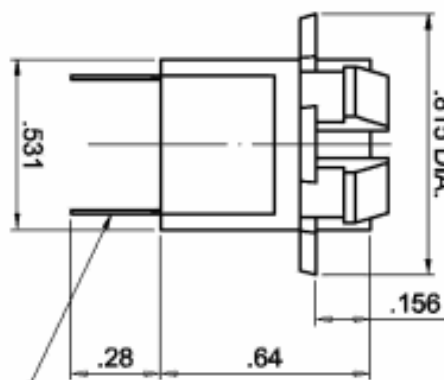
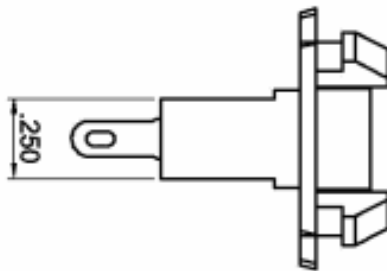
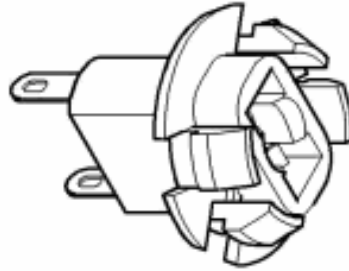




Mitronix

Part #: WB-33PL



CONTACTS
(.012 THK PHOSPHOR BRONZE OR
.016 THK BRASS WITH TIN PLATED)

HOUSING (NYLON 6/6 WITH UL
APPROVAL AND RATED TO 100°C)