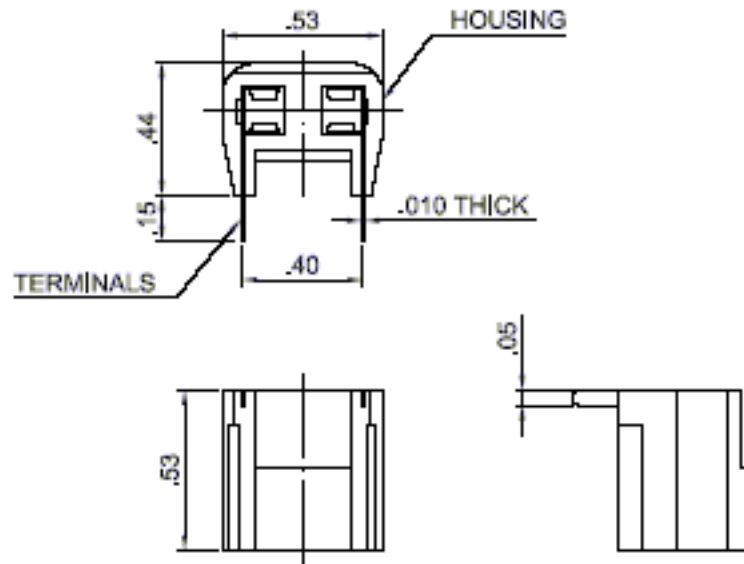
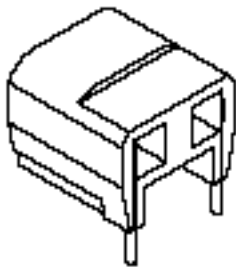




Mitronix

Horizontal Mount T3-1/4
Wedge Base Lamp holder

Part #: **WB-4500**



NOTES: 1.) HOUSING: PBT MATERIAL (POLY BUTYLENE TEREPHTHALATE WITH GLASS FIBER), UL RTI-130°C-140°C

2.) TERMINALS: .010 THICK PHOSPHOR BRONZE, TIN PLATED.