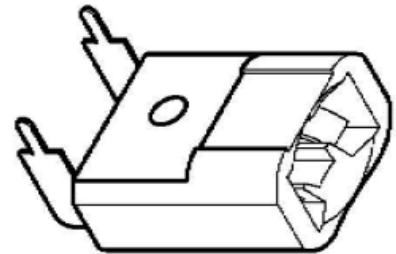




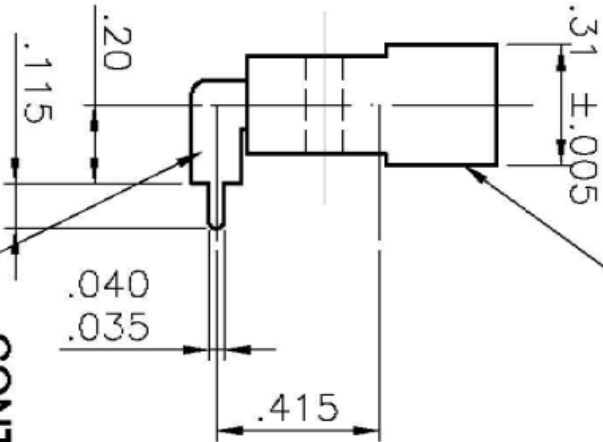
# Mitronix

Wedge Base Socket for  
Horizontal PCB Mount  
without middle tab under  
center

Part #: **WB-9000HZ-1**



**HOUSING  
(VALOX 420 BLACK)**



**CONTACT  
(PHOSPHOR BRONZE, TIN PLATE)**

